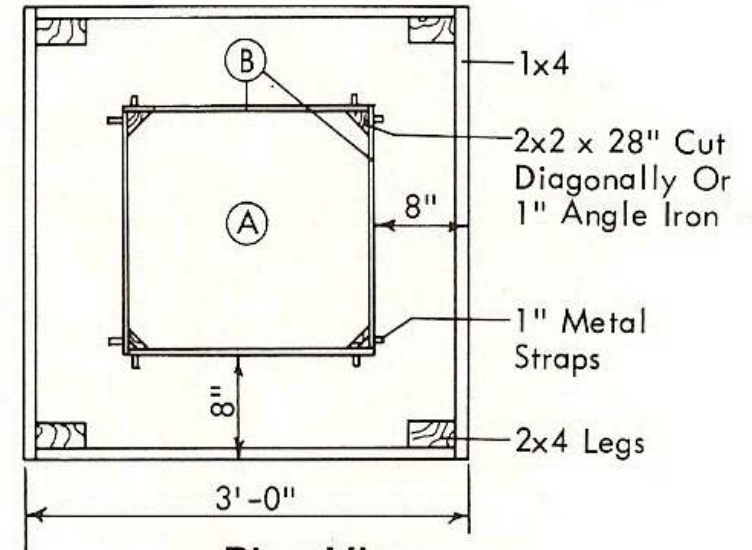
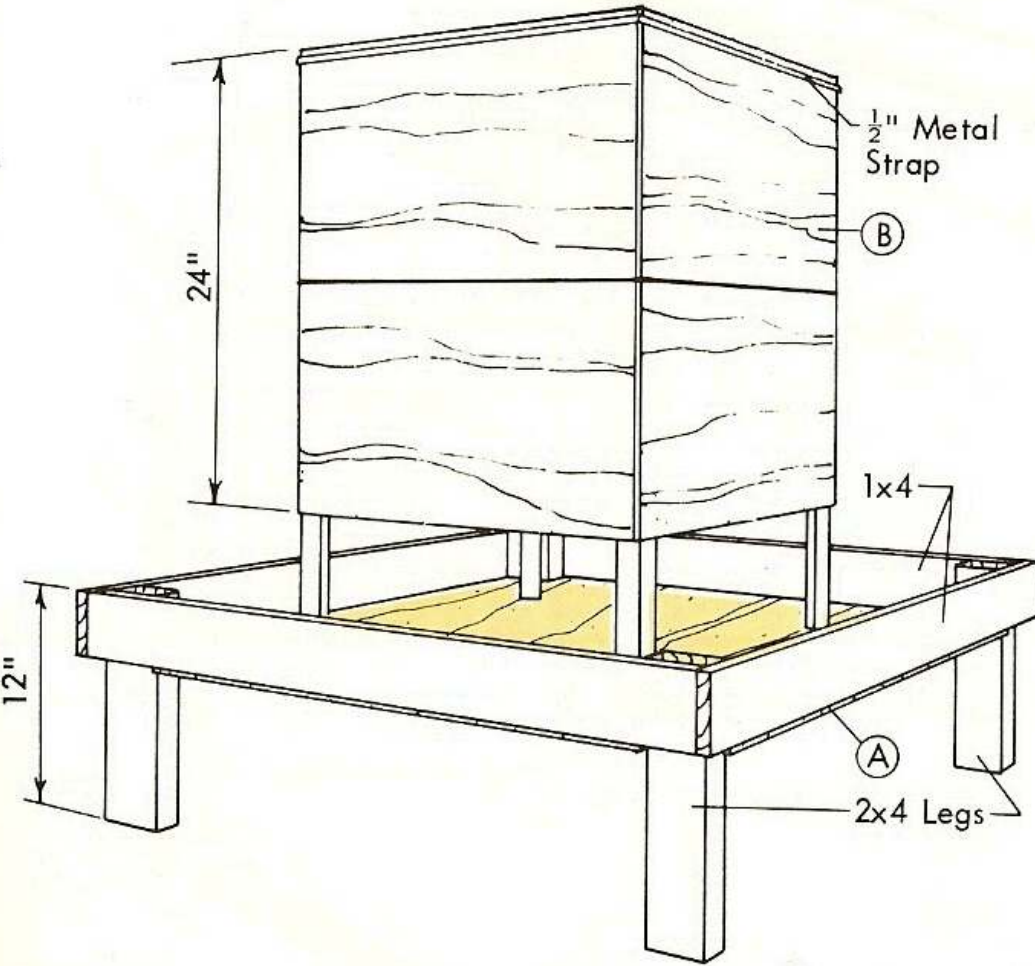
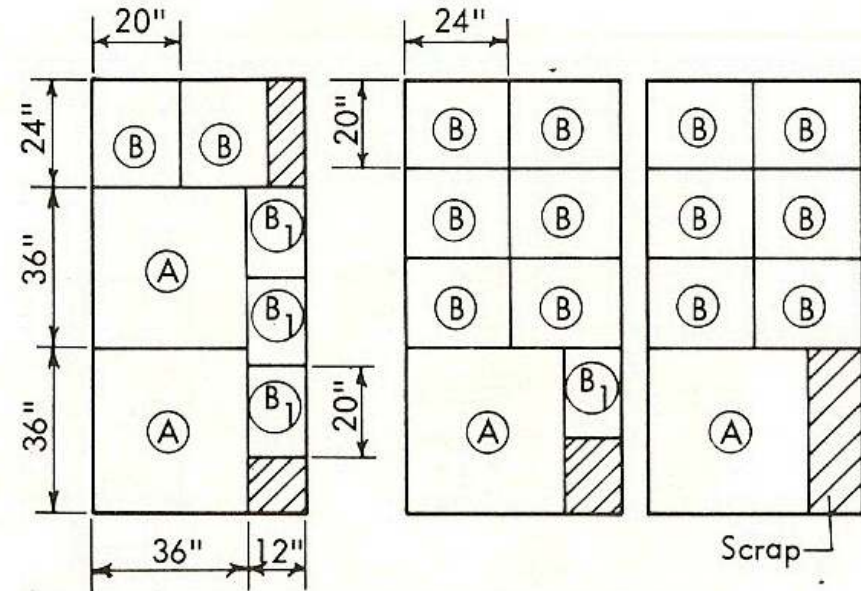


Plywood Box Feeder



Plan View



Cutting Diagrams For 4 Feeders

1/4" Plywood (4'x8' Sheets)

2 sides must be pieced with 2-12" x 20" pieces B₁